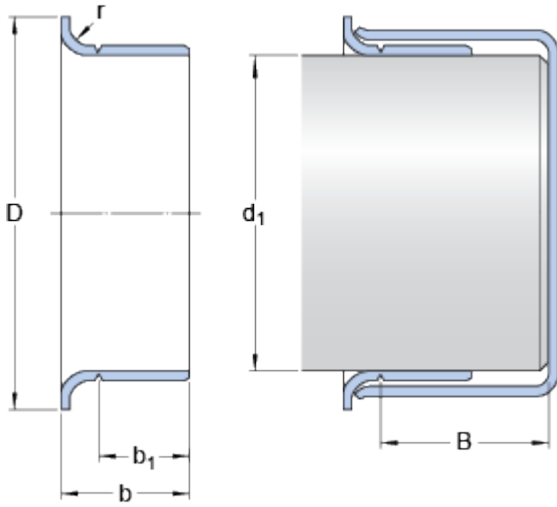


# 99606

## Dimensions



### Nominal dimensions

$d_1$		155	mm
$D$		167.005	mm
Tolerance outside diameter $D$	$\pm$	1.6	mm
$b$		29.997	mm
Tolerance width $b$	$\pm$	0.8	mm
$b_1$		26.01	mm
Tolerance width $b_1$	$\pm$	0.8	mm
$B$	max.	32.995	mm
$r$	max.	3.18	mm

### Shaft diameter range

$d_1$	min.	154.737	mm
$d_1$	max.	154.991	mm